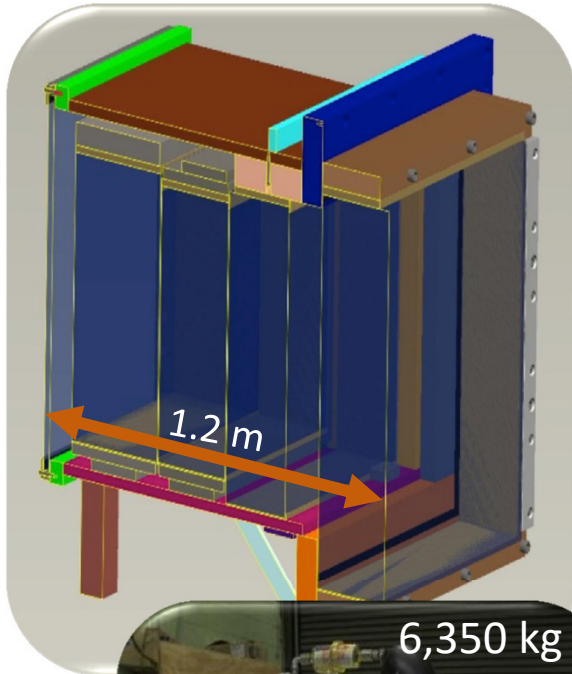


Hot Fuel Examination Facility 1st Hot Cell Window Replacement



- HFEF began operations 1975
- Window replacement design began 2014
- Window unit replaced in 4 days
- Tank unit: 5 slabs of glass with mineral oil



6,350 kg
(14,000 lbs)

